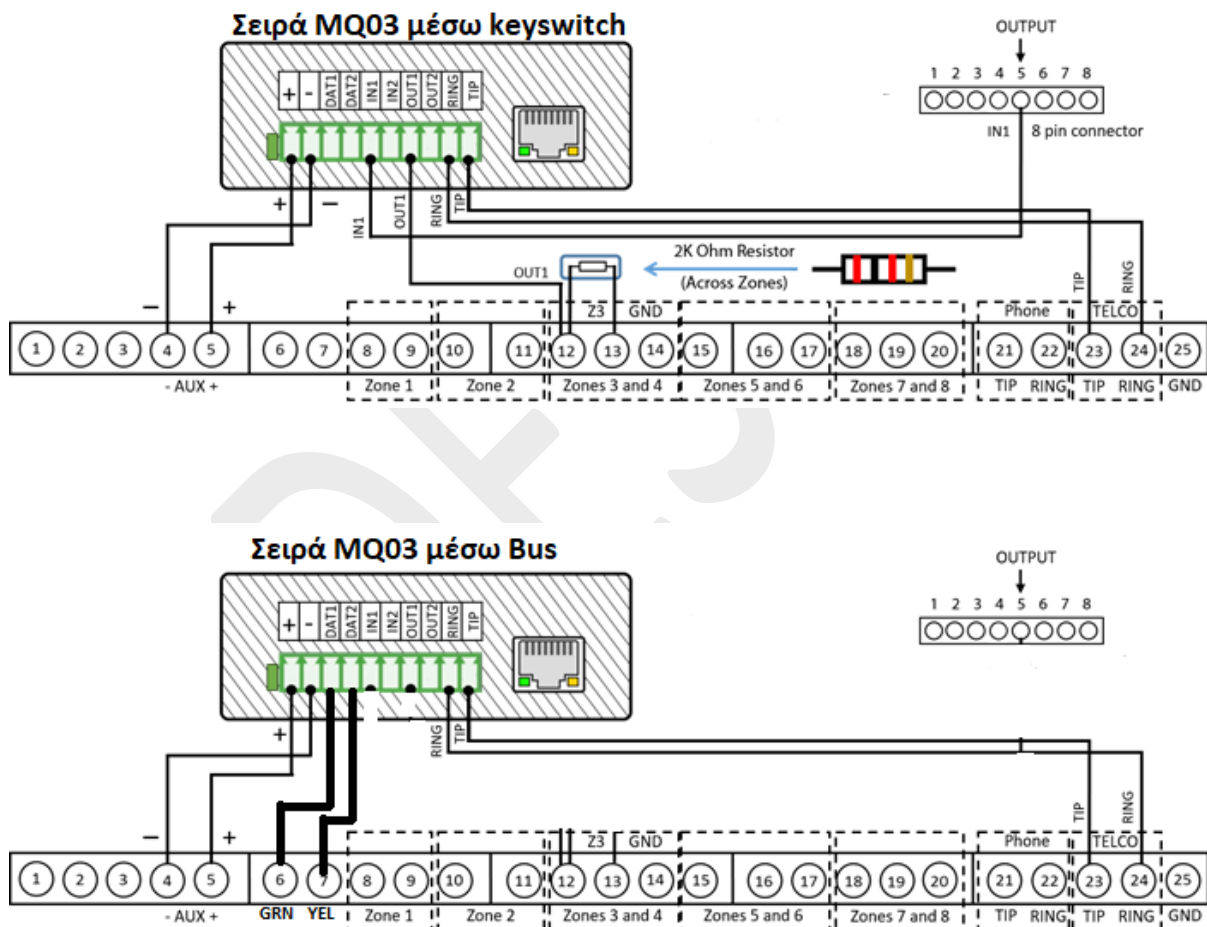
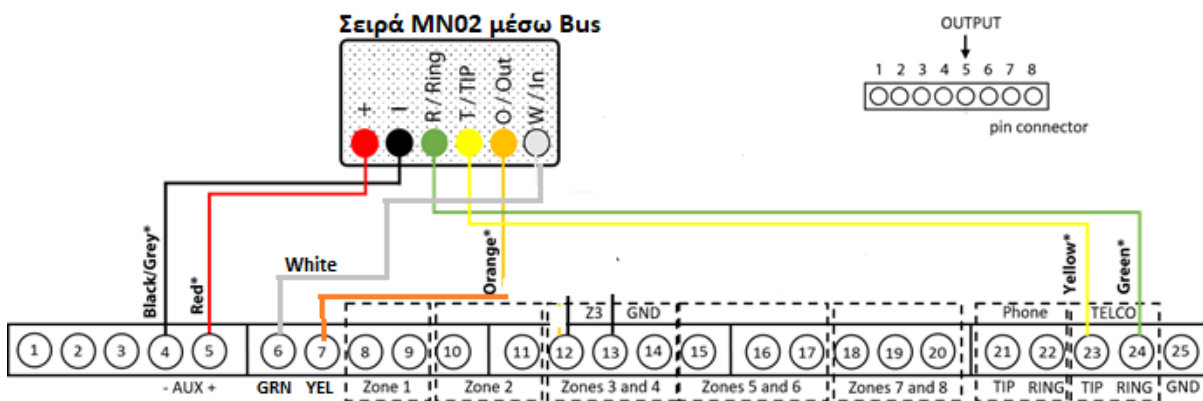
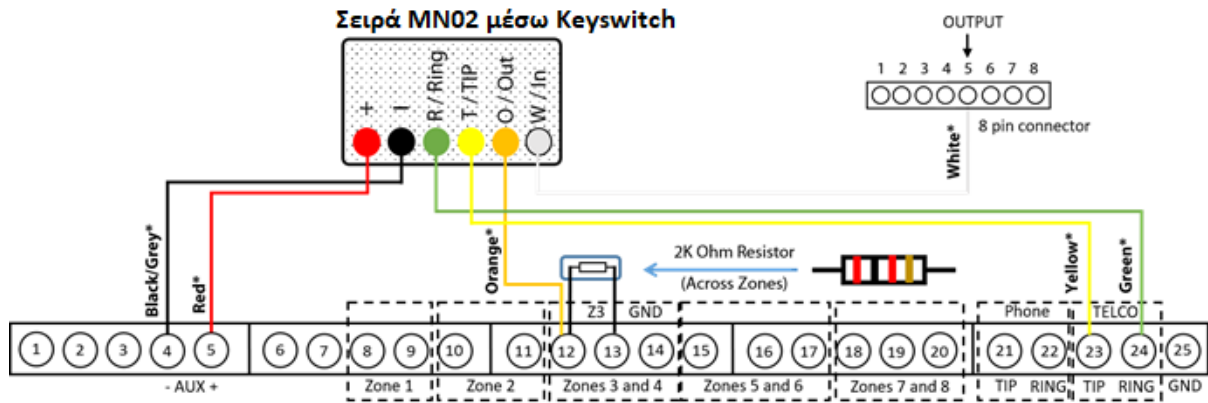


## Ρυθμίσεις προγραμματισμού και διάγραμμα καλωδίωσης σειράς MN02-LTE-M & MQ03-LTE-M με πίνακες σειράς Honeywell Vista





### Ενεργοποίηση του CID

Keypad Display	Keypad Entry	Action Description
Disarmed	4112,8,00	To enter the programming menu
Installer code 20	*41	To go to primary phone setting
Pri. Phone	123456*	Enter phone number (123456 is an example) * to save
Sec. Phone	*43	To go to primary account number
SubID. Pri.	1234*	Enter account number (1234 is an example) * to save
SubID. Sec.	*47	To go to phone system menu
Phone Sys.	1	Press 1 to select tone dialing
Rep Form Pri/Sec	*48	To go to reporting format
Rep Form Pri/Sec	77	To choose Ademco Contact ID reporting
Split / Dual	*65	To go to Open Report code
Open Rpt.	111	To enable Open report code for Partition 1, 2 and in general
Awy/Sty Rpt.	*66	To go to ARM Away/Stay reporting code
Awy/Sty Rpt.	111111	To enable Away/Stay ARM reporting code for Partition 1,2 and in general
RF LB Rpt.	*70	To go to Alarm/Restore reporting code
Alm Res Rpt	1	To enable alarm/Restore reporting code
Trb Res Rpt	*84, 3	To set Auto-Stay Arm for both Partitions
	*99	To exit and save

## Επιλογές ενεργοποιήσεις ζώνης Keyswitch & PGM σε κατάσταση Όπλισης /Αφόπλισης

Keypad Display	Keypad Entry	Action Description
Disarmed	4112,8,00	To enter the programming menu
Installer code	*56	To go to zone programming menu
Set to confirm	1	To enter the menu
Enter Zn. Num.	03*	To enter zone 3 programming
Zn ZT PRC HW:RT	*	To enter the first parameter input section
03 Zone Type	77*	To select keyswitch
03 Report Code	0000*	To disable reporting code for zone activation
03 Resp. Time	1*	To set response time to 1 second
Zn ZT PRC HW:RT	*	To confirm settings and go to next menu
Program Alpha?	0	To go to next menu
Enter Zn. Num.	00	To quit
Enter * or #	*80	To go to output programming menu
Output Funct. #	01*	To set Output 1
01 AEP Trig	*	To go to next menu
01 Activated by	2*	To select Activate by Zone Type
01 Enter Zone Type	78*	To choose Keyswitch RED (Armed)
Partition No.	1	To assign Output 1 to Partition 1
Enter Output No.	18*	To select output 18 (pin 5 on the 8 pin connector as shown on the 1 <sup>st</sup> page)
01 AEP Trig	*	To save settings
Output Funct. #	00	To quit
Enter * or #	*99	To save and quit